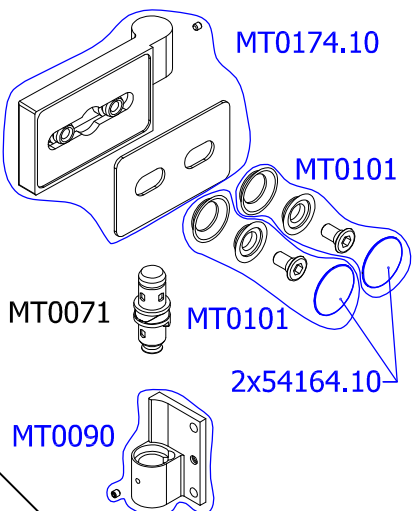
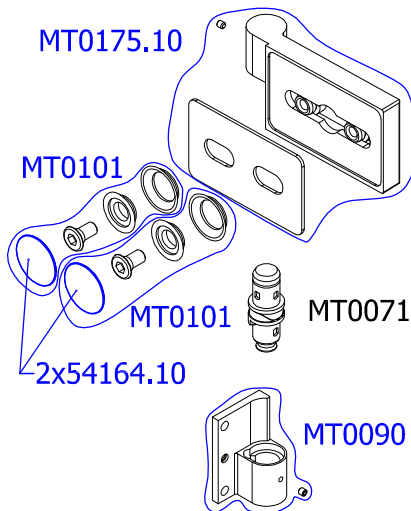


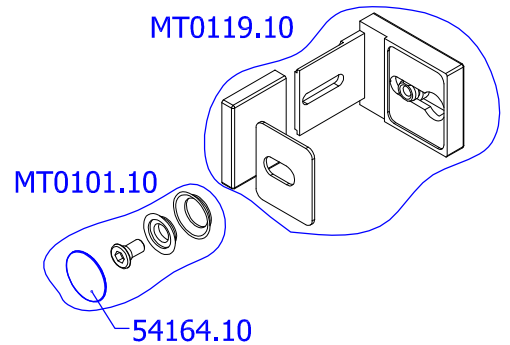
**DETAIL A - L**



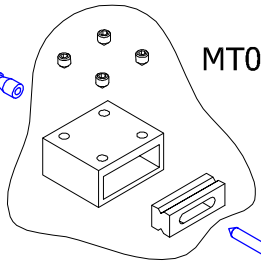
**DETAIL A - R**



**DETAIL B - L/R**

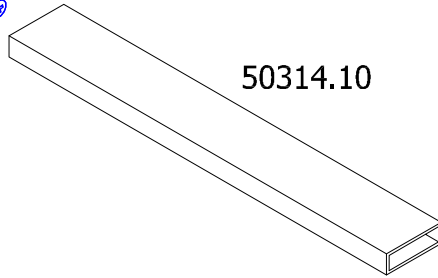
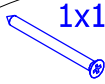


1x16000

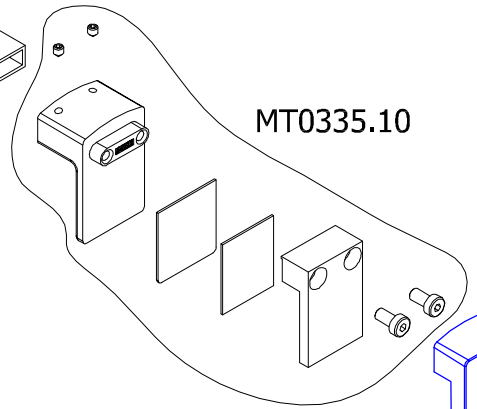


MT0332.10

1x14139



50314.10



MT0335.10

1x51423.10

