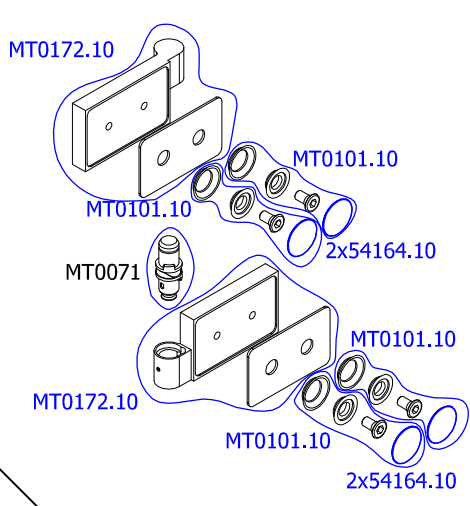
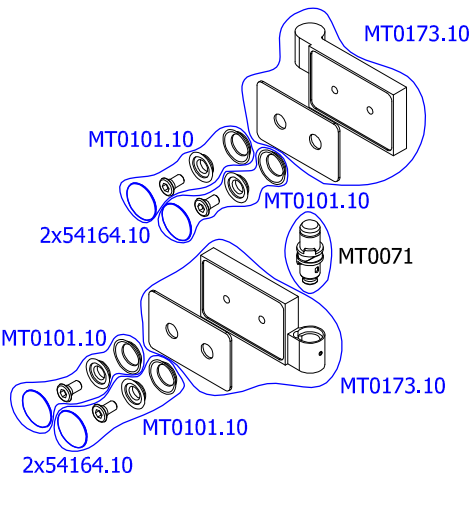


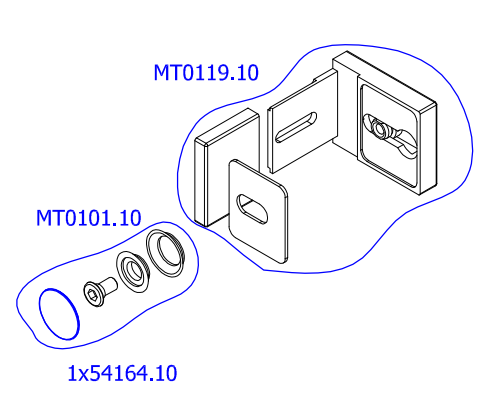
DETAIL A - L



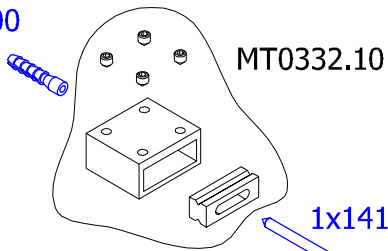
DETAIL A - R



DETAIL B - L/R

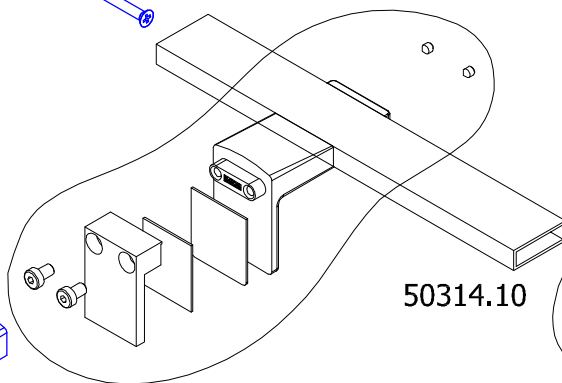


1x16000



MT0332.10

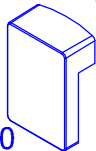
1x14139



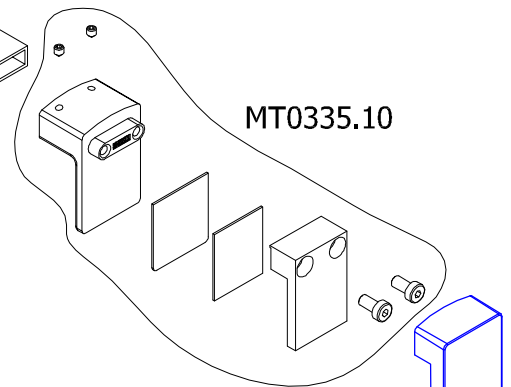
50314.10

MT0329.10

1x51423.10



MT0335.10



1x51423.10

